

Classical Venturi Tube Venturi Nozzle

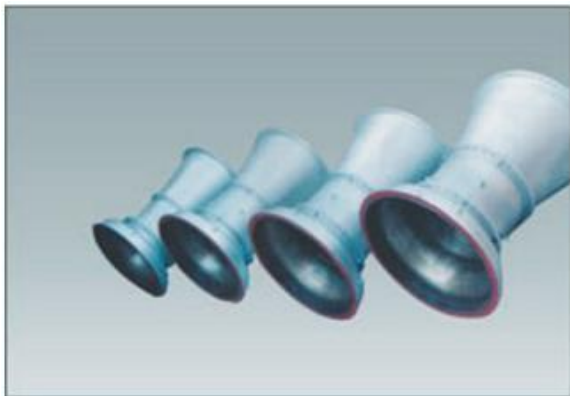
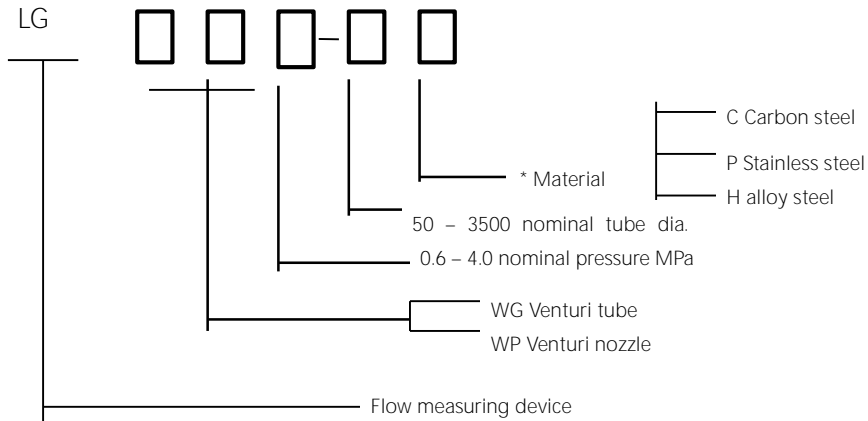
【Features】

Classical Venturi tube Venturi nozzle is featured with small pressure loss, high measuring accuracy, short front and back straight tubes, and long service life etc. it is suitable for measuring the flow of water and gases.

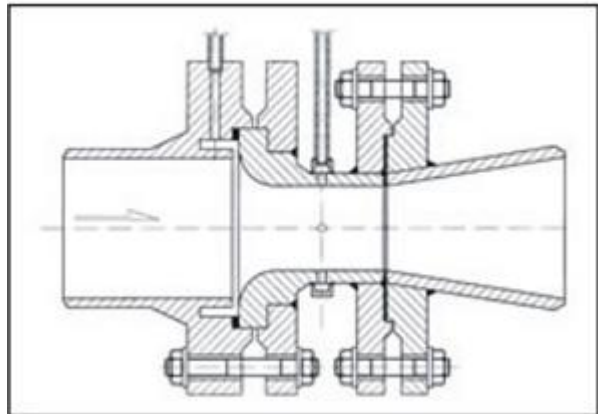
【Specification】

DN 50 ~ 3500 mm PN 0.6 ~ 4.0 OMPa

Model:



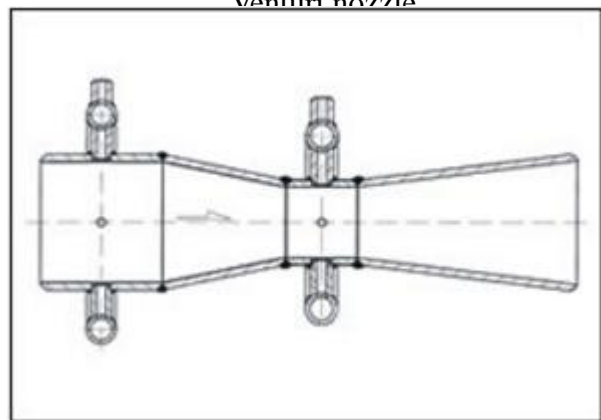
Profile of Venturi nozzle



Venturi nozzle



Profile of classical venturi tubes



Classical Venturi tube